

# S-5000 ACOUSTIC SYSTEM



KELONIK CINEMA SOUND

Screen channel cinema sound system for large capacity theaters and high quality level, high spectacularity installations

S-5000 two-way speaker system is especially designed for high quality, high spectacularity cinema installations in large capacity auditoria. S-5000 system has two bass cabinets fitted with two 15" Ø direct radiation woofers in each cabinet.



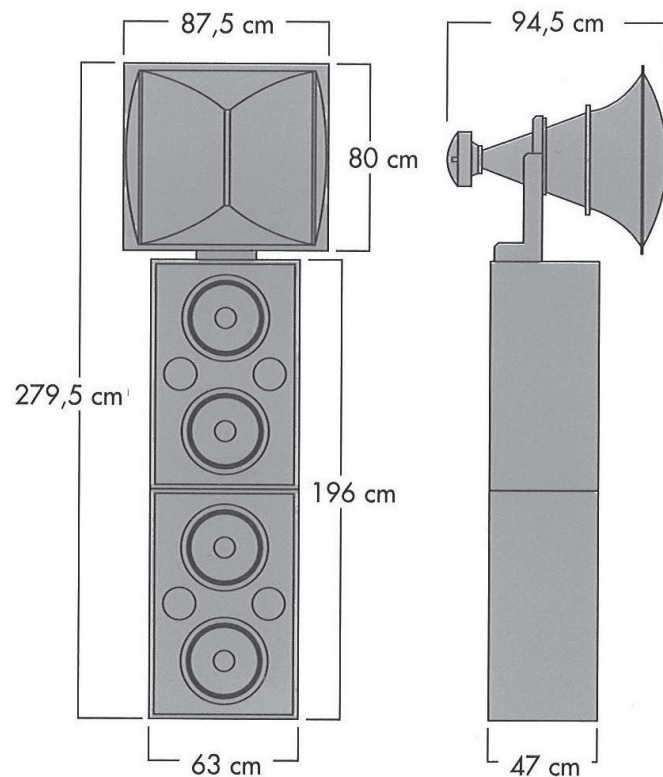
APPROVED  
THX

The high frequency section features a compression driver with 4" Ø titanium membrane, 2" Ø mouth and a constant directivity horn especially designed for the high sound pressures required in highly spectacular installations.

S-5000 system is designed for biamplified applications and to operate with 500 Hz external electronic cross-over.

Approved for THX.

# S-5000 ACOUSTIC SYSTEM



## TECHNICAL DATA

Frequency Range (-10 dB)	35 Hz- 20 kHz
Nominal Impedance	LF 4 Ω + 4 Ω HF 8 Ω
<b>POWER CAPACITY</b>	
Continuous Pink Noise (1)	LF 2800 W (1400 W each cabinet) HF 80 W
Continuous Program	LF 5600 W (2800 W each cabinet) HF 160 W
Sensitivity 1W/1m	HF 103 dB S.P.L. (2 cabinets) LF 112 dB D.P.L.
Crossover Frequency Active	500 Hz active (not included)
Horizontal Beamwidth	90°
Vertical Beamwidth	60°
Dimensions (H x W x D)	279,5 x 87,5 x 94,5 cm
Net Weight	148 kg

(1) Based on a 2 hour test using a continuous 6 dB crest factor pink noise signal band limited according to IEC 268-1 (1985).

## COMPONENTS

Cabinet	2 x C-215
Low Frequency Driver	4 x S-1535
High Frequency Driver	S-801
High Frequency Horn	SC-401
Adjustable Mount	SP-3