

S-2501_SP-2

Item Code

47009-A



SCREEN CHANNEL

S-2501_SP-2

SUMINISTROS KELONIK SA
C/ Badajoz, 159 bis - 08018 Barcelona - Spain
Tel. +34 93 300 43 61
Updated (DD/MM/YYYY): 14/02/2025



Key Features

- Designed for Medium-Sized Auditoriums: Optimized for clear and powerful sound in mid-range venues.
- Bass Performance: Direct radiation technology with dual 15" woofers for deep, impactful low-end frequencies.
- High-Frequency Driver: 4" titanium diaphragm compression driver with a 2" mouth for clear, precise sound reproduction.
- Constant Directivity Horn: Ensures consistent and uniform coverage across the listening area.
- Bi-Amplification Ready: Compatible with bi-amplification applications through an external crossover at 500 Hz for optimal performance.

Description

The K.C.S. S-2501_SP-2 two-way speaker system is engineered specifically for medium-sized auditoriums, delivering high-quality sound with precision.

It features a direct radiation bass cabinet housing dual 15" woofers, providing powerful and clear low-end performance.

The high-frequency section includes a 4" titanium diaphragm compression driver with a 2" mouth and a constant directivity horn, ensuring uniform sound coverage throughout the space.

Designed for bi-amplification, the system operates efficiently with an external crossover at 500 Hz, making it a perfect choice for venues requiring both clarity and power in their audio systems.

S-2501_SP-2

Specifications

BI-AMPLIFIED SPEAKER

Performances

Frequency Range (-10 dB)	35Hz-20kHz
LF Nominal Impedance	4 Ohms
LF AES Power (1)	1400 W
LF Continuous Program	2800 W
MF Nominal Impedance	-
MF AES Power (1)	-
MF Continuous Program	-
HF Nominal Impedance	8 Ohms
HF AES Power (1)	120 W
HF Continuous Program	240 W
System Sensitivity 1 W/1 m (2)	-
LF Sensitivity 1 W/1 m (2)	101 dB
MF Sensitivity 1 W/1 m (2)	-
HF Sensitivity 1 W/1 m (2)	110 dB
MF / HF Bracket	Adjustable Bracket
Beam Horizontal Angle	90 degrees
Beam Vertical Angle	45 degrees

(1) - Based on a 2 hours test using a continuous 6 dB crest factor pink noise signal band limited according to IEC 268-1 (1985).

(2) - Free field sensitivity (Half Space sensitivity +3 dB)

(3) - Rating based on test signal of filtered random noise conforming to the International Standard IEC 268-1 (pink noise with 12 dB per octave roll-off below 40 Hz and above 5000 Hz with a peak-to average ratio of 6 dB).

S-2501_SP-2

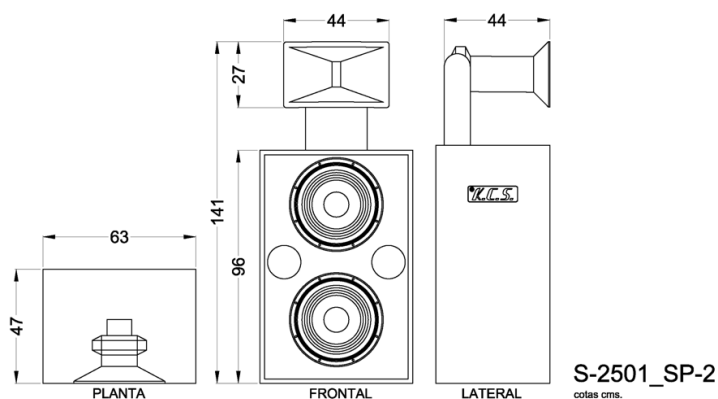
SUMINISTROS KELONIK SA
C/ Badajoz, 159 bis - 08018 Barcelona - Spain
Tel. +34 93 300 43 61
Updated (DD/MM/YYYY): 14/02/2025



Enclosure

Dimensions cm (H x W x D) 140,5 x 63 x 47

Net Weight 68,15 Kg



Components

	Quantity	Reference	Item Code
Enclosure Reference	1	C-215	47155-A
	-	-	-
LF Reference	2	S-1535	47201-A
MF Reference	-	-	-
HF Reference	1	S-801	47203-A
MF / HF Assembly Kit	-	-	-
MF / HF Bracket	1	SP-2	47213-A
MF Horn	-	-	-
HF Horn	1	S-201	47208-A

S-2501_SP-2

Connectors

Audio Input Connectors

Push Type Terminal

Spare Parts

	Reference	Item Code
LF Recone Kit	GM-S-1535	47333-A
MF Recone Kit	-	-
HF Recone Kit	GM-S-801	47205-A
Passive Filter	-	-
MF / HF Filter	-	-

EQ Settings

Check the dedicated EQ Setting page on our website
https://kcsspeakers.com/en/EQ_Setting.html

S-2501_SP-2