

S-2001

Item Code

47004-A



SCREEN CHANNEL

S-2001

SUMINISTROS KELONIK SA
C/ Badajoz, 159 bis - 08018 Barcelona - Spain
Tel. +34 93 300 43 61
Updated (DD/MM/YYYY): 14/02/2025



Key Features

- Ultra-flat design
- Bi-amplified system
- Special 90° x 45° dispersion pattern for enhanced sound control
- Adjustable horn for customizable coverage
- Ideal solution for small auditoriums

Description

The K.C.S. S-2001 two-way speaker system is a high-quality, extra-flat solution specifically designed for screen channels in small to medium-sized auditoriums with limited space between the screen and the wall.

The system features an extra-flat direct radiation bass cabinet with a 15" woofer, delivering powerful low-frequency performance despite the compact design. The high-frequency section includes a 4" titanium compression driver with a 2" mouth, paired with a constant directivity horn, ensuring clear and precise high-frequency sound distribution.

The S-2001 is designed for bi-amplification applications and operates with an external crossover at 500 Hz, allowing for optimal performance and sound clarity.

This system provides a perfect balance of space-saving design and high-quality audio, ideal for professional installations in space-constrained venues.

S-2001

Specifications

BI-AMPLIFIED SPEAKER

Performances

Frequency Range (-10 dB)	40Hz-20kHz
LF Nominal Impedance	8 Ohms
LF AES Power (1)	700 W
LF Continuous Program	1400 W
MF Nominal Impedance	-
MF AES Power (1)	-
MF Continuous Program	-
HF Nominal Impedance	8 Ohms
HF AES Power (1)	120 W
HF Continuous Program	240 W
System Sensitivity 1 W/1 m (2)	-
LF Sensitivity 1 W/1 m (2)	98 dB
MF Sensitivity 1 W/1 m (2)	-
HF Sensitivity 1 W/1 m (2)	110 dB
MF / HF Bracket	Fixed Bracket
Beam Horizontal Angle	90 degrees
Beam Vertical Angle	45 degrees

(1) - Based on a 2 hours test using a continuous 6 dB crest factor pink noise signal band limited according to IEC 268-1 (1985).

(2) - Free field sensitivity (Half Space sensitivity +3 dB)

(3) - Rating based on test signal of filtered random noise conforming to the International Standard IEC 268-1 (pink noise with 12 dB per octave roll-off below 40 Hz and above 5000 Hz with a peak-to average ratio of 6 dB).

S-2001

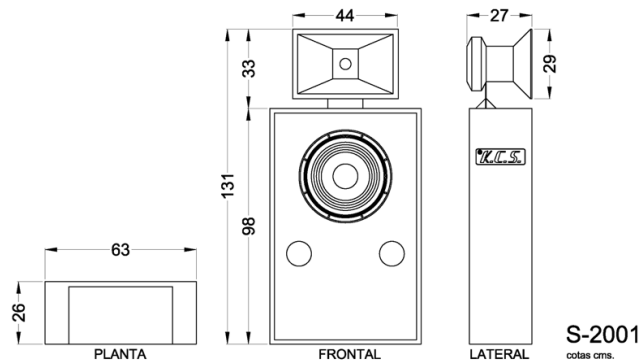
SUMINISTROS KELONIK SA
C/ Badajoz, 159 bis - 08018 Barcelona - Spain
Tel. +34 93 300 43 61
Updated (DD/MM/YYYY): 14/02/2025



Enclosure

Dimensions cm (H x W x D) 131 x 63 x 27

Net Weight 45,6 Kg



Components

	Quantity	Reference	Item Code
Enclosure Reference	1	C-115-PL	47153-A
	-	-	-
LF Reference	1	S-1535	47201-A
MF Reference	-	-	-
HF Reference	1	S-801	47203-A
MF / HF Assembly Kit	-	-	-
MF / HF Bracket	1	SP-2	47213-A
MF Horn	-	-	-
HF Horn	1	S-201-E	47209-A

S-2001

Connectors

Audio Input Connectors

Push Type Terminal

Spare Parts

	Reference	Item Code
LF Recone Kit	GM-S-1535	47333-A
MF Recone Kit	-	-
HF Recone Kit	GM-S-801	47205-A
Passive Filter	-	-
MF / HF Filter	-	-

EQ Settings

Check the dedicated EQ Setting page on our website
https://kcsspeakers.com/en/EQ_Setting.html

S-2001