

S-1801

Item Code

47051-A



SCREEN CHANNEL

S-1801

SUMINISTROS KELONIK SA
C/ Badajoz, 159 bis - 08018 Barcelona - Spain
Tel. +34 93 300 43 61
Updated (DD/MM/YYYY): 14/02/2025



Key Features

- Space-Efficient Design: Ideal for small to medium-sized auditoriums with limited space between the projection screen and wall.
- Powerful Bass: 15" woofer for deep, impactful low-frequency performance.
- Clear Highs: 2" titanium compression driver with a 1" mouth, providing precise high-frequency reproduction.
- Uniform Coverage: 90° x 90° constant dispersion horn ensures even sound distribution from front to back.
- Bi-Amplified System: Designed for use with an external active crossover with a 1100 Hz frequency cut for optimal performance.
- THX Approved: Guarantees top-tier sound quality and reliability for professional cinema installations.

Description

The K.C.S. S-1801 extra-flat two-way speaker system is specifically designed for screen channels in small to medium-sized auditoriums, particularly where space between the projection screen and the wall is limited.

This system features a bass cabinet equipped with a 15" woofer, providing robust low-frequency performance. The high-frequency section includes a compression driver with a 2" titanium diaphragm and a 1" mouth, paired with a 90° x 90° constant dispersion horn, ensuring uniform sound coverage from the front to the back of the auditorium.

The S-1801 is a bi-amplified system, designed to work with an external active crossover, with a frequency cut at 1100 Hz, ensuring optimal frequency distribution for balanced sound.

Approved for THX, the S-1801 guarantees exceptional audio performance and reliability in professional cinema environments.

S-1801

Specifications

BI-AMPLIFIED SPEAKER

Performances

Frequency Range (-10 dB)	30Hz-20kHz
LF Nominal Impedance	8 Ohms
LF AES Power (1)	400 W
LF Continuous Program	800 W
MF Nominal Impedance	-
MF AES Power (1)	-
MF Continuous Program	-
HF Nominal Impedance	8 Ohms
HF AES Power (1)	50 W
HF Continuous Program	100 W
System Sensitivity 1 W/1 m (2)	-
LF Sensitivity 1 W/1 m (2)	99 dB
MF Sensitivity 1 W/1 m (2)	-
HF Sensitivity 1 W/1 m (2)	108 dB
MF / HF Bracket	Adjustable Bracket
Beam Horizontal Angle	90 degrees
Beam Vertical Angle	90 degrees

(1) - Based on a 2 hours test using a continuous 6 dB crest factor pink noise signal band limited according to IEC 268-1 (1985).

(2) - Free field sensitivity (Half Space sensitivity +3 dB)

(3) - Rating based on test signal of filtered random noise conforming to the International Standard IEC 268-1 (pink noise with 12 dB per octave roll-off below 40 Hz and above 5000 Hz with a peak-to average ratio of 6 dB).

S-1801

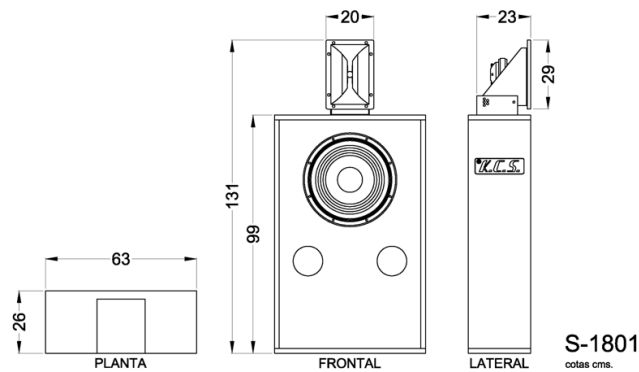
SUMINISTROS KELONIK SA
C/ Badajoz, 159 bis - 08018 Barcelona - Spain
Tel. +34 93 300 43 61
Updated (DD/MM/YYYY): 14/02/2025



Enclosure

Dimensions cm (H x W x D) 131 x 63 x 26

Net Weight 38,25 Kg



Components

	Quantity	Reference	Item Code
Enclosure Reference	1	C-115-PLP	47166-A
	-	-	-
LF Reference	1	S-1535	47201-A
MF Reference	-	-	-
HF Reference	1	S-701	47204-A
MF / HF Assembly Kit	1	M/H-1800	47126-A
MF / HF Bracket	1	SP-1800	47343-A
MF Horn	-	-	-
HF Horn	1	BC-99	47323-A

S-1801

Connectors

Audio Input Connectors

Push Type Terminal

Spare Parts

	Reference	Item Code
LF Recone Kit	GM-S-1535	47333-A
MF Recone Kit	-	-
HF Recone Kit	GM-S-701	47206-A
Passive Filter	-	-
MF / HF Filter	-	-

EQ Settings

Check the dedicated EQ Setting page on our website
https://kcsspeakers.com/en/EQ_Setting.html

S-1801