

C-218-H ACOUSTIC SYSTEM



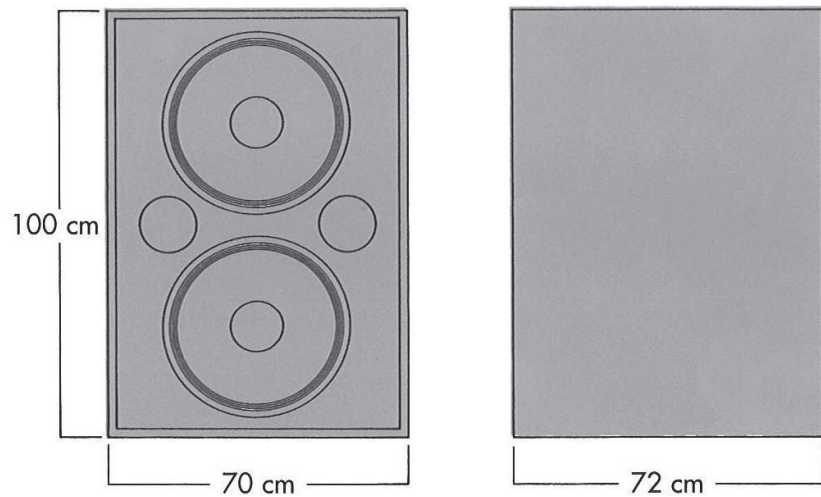
KELONIK CINEMA SOUND

Screen channel cinema sound system
especially designed for subwoofers

C-218-H has two K.C.S. S-1846-H 18"Ø
woofers. Both speakers are arranged as
direct radiators, resulting in a deep and
highly linear bass sound.



C-218-H ACOUSTIC SYSTEM



TECHNICAL DATA

Frequency Range (-10 dB)	30 Hz- 500 Hz
Nominal Impedance	4 Ω

POWER CAPACITY

Continuous Pink Noise ⁽¹⁾	1400 W
Continuous Program	2800 W
Sensitivity 1W/1m	101 dB S.P.L.
Crossover Frequency	80-110 Hz recomended
Dimensions (H x W x D)	100 x 70 x 72 cm
Net Weight	74 kg

(1) Based on a 2 hour test using a continuous 6 dB crest factor pink noise signal band limited according to IEC 268-1 (1985).

COMPONENTS

Cabinet	C-218-H
Loudspeaker 18"	2 x S-1846-H