

SR-20 ACOUSTIC SYSTEM



KELONIK CINEMA SOUND

Surround Channel cinema sound system special for Outstanding sound installations and high dynamics with passive biamplification operation

K.C.S. SR-20 speaker system for passive biamplified surround channel sound is especially designed for large and spectacular installations.

SR-20 system's cabinet has one high performance and high power dynamics 15" Ø woofer. For the high frequencies, it uses a compression driver with 2" Ø titanium membrane. Its constant dispersion horn (100° x 60°) with 1" Ø mouth covers a wide area, providing all listeners a large response and a good sound distribution, both in the low frequencies and in the mid and high frequencies.



Acoustic system specially designed for high dynamic surround systems suitable for spectacular systems such as Dolby Atmos, Auro 3D or similar



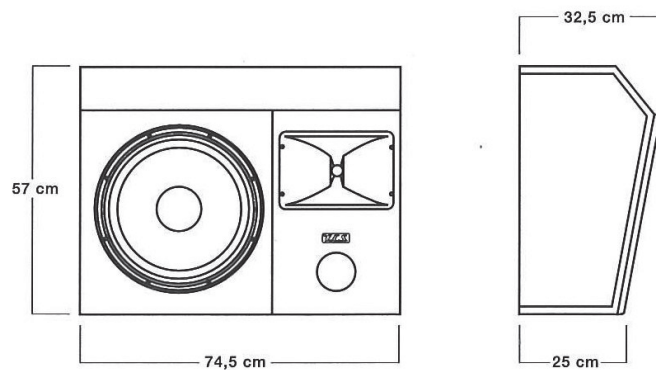
SR-20 system has a built-in special passive crossover with separate bass and treble inputs, which can operate in two ways: (1) Conventional passive amplification, with both inputs connected in parallel; and (2) Passive biamplification, with bass and treble connected separately. (SEE DIAGRAMS).

SR-20 has a switch to obtain two different response curves for the installations offering the following possibilities:

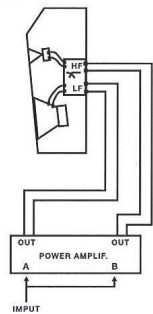
- 1) (ISO 2969) Response to ISO 2969 cinema surround roll-off curve.
- 2) (Flat) Flat response for improved high frequencies.

Approved for THX.

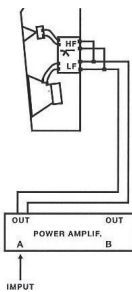
SR-20 ACOUSTIC SYSTEM



(1) Passive Bi-amplified



(2) Conventional passive amplification



SP SR-20
Adjustable mount



TECHNICAL DATA

	SR-20 Passive	SR-20 Passive Bi-amplified
Frequency Range (-10 dB)	40 Hz- 18 kHz	
Nominal Impedance	8 Ω	LF 8 Ω HF 8 Ω
POWER CAPACITY		
Continuous Pink Noise ⁽¹⁾	400 W	LF 400 W HF 75 W
Continuous Program	800 W	LF 800 W HF 150 W
Sensitivity 1W/1m	100 dB S.P.L.	LF 100 dB S.P.L. HF 102 dB S.P.L.
Crossover Frequency	2 kHz passive included	
Horizontal Beamwidth	100°	
Vertical Beamwidth	60°	
Dimensions (H x W x D)	57 x 74,5 x 32,5 cm	
Net Weight	26 kg	

(1) Based on a 2 hour test using a continuous 6 dB crest factor pink noise signal band limited according to IEC 268-1 (1985).

COMPONENTS

Cabinet	SR-20
Low Frequency Driver	SR-15 P (15" Ø)
Passive Crossover	F-SR-20
High Frequency Driver	S-401
High Frequency Horn	BC-96