

S-8901 / S-8902 ACOUSTIC SYSTEMS



KELONIK CINEMA SOUND

Three-way screen channel cinema sound system enhanced for large capacity theaters

KCS S-8901 and S-8902 three-way speaker systems has been enhanced for the screen channel in large theaters ; its 47 cm depth makes it especially suitable where there is a space limitation behind the projection screen.

The KCS S-8901 (bi-amplified) speaker system includes a passive crossover to cut frequencies between mid and high frequencies. Between mid and low frequencies, this system is designed to operate with an external active crossover with cut frequency at 400 Hz.

The KCS S-8902 (tri-amplified) speaker system is designed to operate with external active crossovers to cut frequencies both between the low and mid ranges (400 Hz) and between the mid and high ranges (1.3 kHz).



ENHANCED HF RANGE FOR LARGE THEATER

The high dynamics demanded to screen channel speaker systems by current soundtracks requires the use of three-way systems in order to ensure high SPL levels in the auditorium while keeping distortion at inaudible levels.

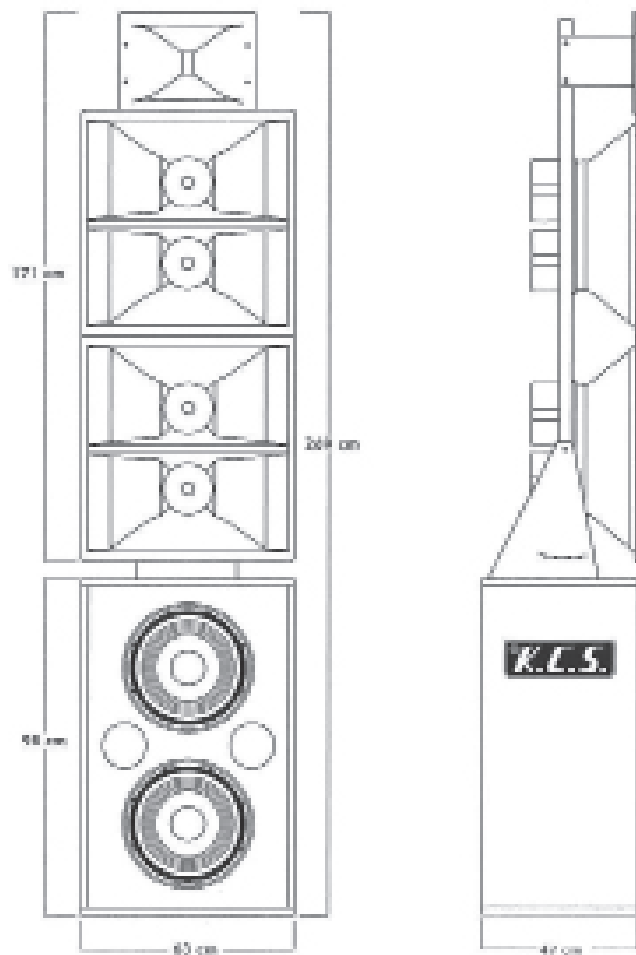
Each of the three ways is controlled by transducers which are specifically designed to operate in the required frequency range and ensure a precise and distortion-free reproduction.

This system features a bass cabinet with direct radiation technology fitted with two 15" Ø speakers.

Voice spectrum in this three-way design is reproduced by four 6.5" cone speakers and 90° x 30° constant dispersion horns, improving intelligibility of dialogues as compared to conventional two-way speaker systems.

The High-Frequency section has been enhanced with high SPL and low distortion compression driver with a 3" Ø Titanium and a newly designed 90° x 40° constant directivity horn giving the most natural sound experience.

S-8901 / S-8902 ACOUSTIC SYSTEMS



TECHNICAL DATA

	S-8901	S-8902
Frequency Range (-10 dB)	30 Hz – 20 kHz	
Nominal Impedance	LF 4 Ω MF/HF 2 Ω	LF 4 Ω MF 4 Ω + 4 Ω HF 8 Ω
POWER CAPACITY		
Input Power Rating ⁽¹⁾	LF 800 W MF/HF 400 W	LF 800 W MF 360 W HF 80 W
Sensitivity 1W/1m	LF 101 dB S.P.L. MF/HF 110 dB S.P.L.	LF 101 dB S.P.L. MF 113 dB S.P.L. HF 112 dB S.P.L.
Crossover Frequency	LF/MF 400 Hz (active not included) MF/HF 1.3 kHz (passive included)	LF/MF 400 Hz (active not included) MF/HF 1.3 kHz (active not included)
Horizontal Beamwidth	90°	
Vertical Beamwidth	40°	
Dimensions (H x W x D)	269 x 63 x 47 cm	
Net Weight	99 kg	98 kg

(1) Rating based on test signal of filtered random noise conforming to the International Standard IEC 268-1 (pink noise with 12 dB per octave roll-off below 40 Hz and above 5000 Hz with a peak-to-average ratio of 6 dB).

COMPONENTS

	S-8901	S-8902
Cabinet	C-215-P	C-215-P
Low Frequency Driver	2 x S-15 P	2 x S-15 P
Passive Crossover	F-8901 Included	-
Mid Frequency Driver	4 x S-6	4 x S-6
Mid Frequency Horn	2 x BM-942-B	2 x BM-942-B
High Frequency Driver	S-10/75	S-10/75
High Frequency Horn	BC-9040	BC-9040
Adjustable Mount	SP-8900	SP-8900