

S-8801

Item Code

47064-A



SCREEN CHANNEL

S-8801

SUMINISTROS KELONIK SA
C/ Badajoz, 159 bis - 08018 Barcelona - Spain
Tel. +34 93 300 43 61
Updated (DD/MM/YYYY): 14/02/2025



Key Features

- Bi-Amplified Configuration: Features a passive crossover for mid-high frequencies and an external active crossover with a 400 Hz cutoff between low and mid frequencies.
- Enhanced High-Frequency Performance: Equipped with a 3" titanium compression driver and a 90° x 40° constant directivity horn, delivering natural and distortion-free high frequencies.
- Improved Dialogue Intelligibility: Two 6.5" cone speakers and 90° x 30° constant dispersion horns enhance the intelligibility of dialogue compared to conventional systems.
- Powerful Bass: Includes dual 15" woofers for deep, impactful bass reproduction, ensuring full-range sound coverage.

Description

The K.C.S. S-8801 is designed for screen channels in large theaters, with a compact 47 cm depth, ideal for installations with limited space behind the projection screen.

This bi-amplified system includes a passive crossover to manage mid and high frequencies, while an external active crossover is used to separate low and mid frequencies with a cutoff at 400 Hz.

It delivers high dynamics and high SPL performance while keeping distortion at inaudible levels. The system features dual 15" woofers for powerful bass, two 6.5" cone speakers and 90° x 30° constant dispersion horns for enhanced voice intelligibility, and a 3" titanium compression driver with a 90° x 40° constant directivity horn for clear, distortion-free high frequencies, providing an exceptional sound experience in large theaters.

S-8801

Specifications

BI-AMPLIFIED SPEAKER

Performances

Frequency Range (-10 dB)	30Hz-20kHz
LF Nominal Impedance	4 Ohms
LF AES Power (1)	800 W
LF Continuous Program	1600 W
MF Nominal Impedance	-
MF AES Power (1)	-
MF Continuous Program	-
HF Nominal Impedance	4 Ohms
HF AES Power (1)	240 W
HF Continuous Program	480 W
System Sensitivity 1 W/1 m (2)	-
LF Sensitivity 1 W/1 m (2)	101 dB
MF Sensitivity 1 W/1 m (2)	-
HF Sensitivity 1 W/1 m (2)	111 dB
MF / HF Bracket	Adjustable Bracket
Beam Horizontal Angle	90 degrees
Beam Vertical Angle	40 degrees

(1) - Based on a 2 hours test using a continuous 6 dB crest factor pink noise signal band limited according to IEC 268-1 (1985).

(2) - Free field sensitivity (Half Space sensitivity +3 dB)

(3) - Rating based on test signal of fittered random noise conforming to the International Standard IEC 268-1 (pink noise with 12 dB per octave roll-off below 40 Hz and above 5000 Hz with a peak-to average ratio of 6 dB).

S-8801

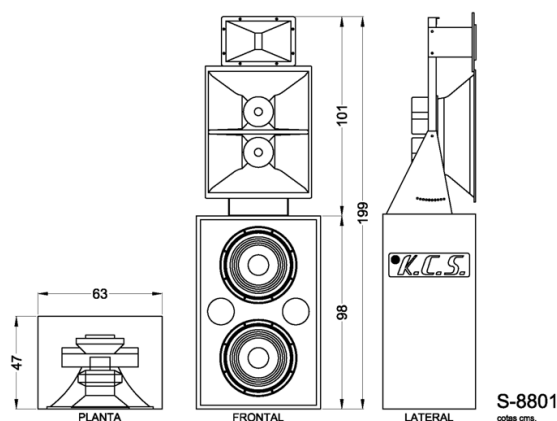
SUMINISTROS KELONIK SA
C/ Badajoz, 159 bis - 08018 Barcelona - Spain
Tel. +34 93 300 43 61
Updated (DD/MM/YYYY): 14/02/2025



Enclosure

Dimensions cm (H x W x D) 199 x 63 x 47

Net Weight 68,45 Kg



Components

	Quantity	Reference	Item Code
Enclosure Reference	1	C-215-P	47159-A
	-	-	-
LF Reference	2	S-15-P	47202-A
MF Reference	2	S-6	47313-A
HF Reference	1	S-10/75	47500-A
MF / HF Assembly Kit	1	M/H-8801	47140-A
MF / HF Bracket	1	SP-8800	47590-A
MF Horn	1	BM-942-B	47326-A
HF Horn	1	BC-9040	47550-A

S-8801

Connectors

Audio Input Connectors

Push Type Terminal

Spare Parts

	Reference	Item Code
LF Recone Kit	GM-S-15-P	47334-A
MF Recone Kit	-	-
HF Recone Kit	GM-S-10/75	47337-A
Passive Filter	-	-
MF / HF Filter	F-8801	47390-A

EQ Settings

Check the dedicated EQ Setting page on our website
https://kcsspeakers.com/en/EQ_Setting.html

S-8801