

S-8500 ACOUSTIC SYSTEM



KELONIK CINEMA SOUND

Three-way screen channel cinema sound system for large capacity theaters and high quality level, high spectacularity installations

Triamplified K.C.S. S-8500 speaker system is especially designed for high quality and spectacular cinema installations in large capacity auditoria.

S-8500 system features two low frequency cabinets with two 18" Ø speakers in each cabinet which are especially designed to optimize reproduction of the low frequencies.

The mid-frequency section has a compression driver with 4" Ø titanium membrane, 3" Ø mouth, and constant directivity horn.

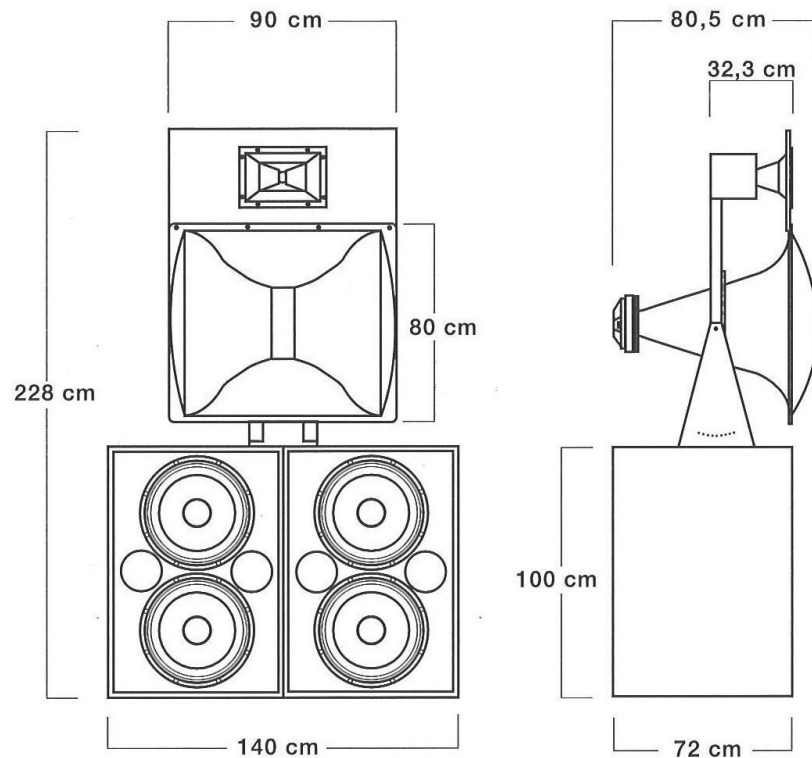


The high-frequency section has a compression driver with neodymium magnetic structure, 4" Ø titanium membrane, 2" Ø mouth, and constant directivity horn.

The main improvements that have been achieved with this new system include high S.P.L. acoustic performance at 10 metre distance on axis, transient response, no nodes in the 300 Hz to 500 Hz frequency range and increased power handling for the instant sound response demanded by the new soundtracks on the 5 kHz to 10 kHz frequency range.

Approved for THX.

S-8500 ACOUSTIC SYSTEM



TECHNICAL DATA

Frequency Range (- 10 dB)	35 Hz-16 kHz
Frequency Response (± 3 dB)	45 Hz-12,5 kHz
Coverage Angles (- 6 dB)	Horizontal 90° (from 300 Hz to 16 kHz) Vertical 45° (from 300 Hz to 16 kHz)
Directivity Factor (Q)	4
Directivity Index (DI)	6
Maximum Output Level	143 dB S.P.L. (a 1 m)
Crossover Frequency	LF/MF 500 Hz MF/HF 2,5 kHz not included
Bass Unit: Impedance	4 Ω + 4 Ω
Power	2800 W AES
Sensitivity	103 dB (1W/1m)
Mid Unit: Impedance	8 Ω
Power	120 W AES
Sensitivity	114 dB (1W/1m)
High Unit: Impedance	8 Ω
Power	80 W AES
Sensitivity	112 dB (1W/1m)
Dimensions (H x W x D)	228 x 140 x 80,5 cm
Net Weight	199 kg

COMPONENTS

Cabinet	2 x C-318-T
Low Frequency Driver	4 x S-1855 (18" \emptyset)
Mid Frequency Driver	S-901
Mid Frequency Horn	SC-501
High Frequency Driver	ND-801
High Frequency Horn	S-301
Adjustable Mount	SP-8