

S-7802

Item Code

47055-A



SCREEN CHANNEL

S-7802

SUMINISTROS KELONIK SA
C/ Badajoz, 159 bis - 08018 Barcelona - Spain
Tel. +34 93 300 43 61
Updated (DD/MM/YYYY): 21/05/2026



Key Features

- Tri-Amplified Configuration: Designed to operate with external active crossovers—one cutting at 400 Hz between low and mid frequencies, and another at 1.7 kHz between mid and high frequencies for precise frequency management.
- Enhanced High-Frequency Performance: Features a titanium compression driver and a constant directivity horn for clear, distortion-free high-frequency reproduction.
- Improved Dialogue Intelligibility: Includes two 6.5" cone speakers and 90° x 30° constant dispersion horns to enhance dialogue clarity compared to conventional two-way systems.
- Powerful Bass: Equipped with dual 15" woofers for deep, impactful bass with direct radiation technology for a rich full-range sound.

Description

The K.C.S. S-7802 is designed for screen channels in large auditoriums, offering a compact 47 cm depth, making it ideal for installations where space behind the projection screen is limited. This tri-amplified system operates with external active crossovers, with a cutoff at 400 Hz between low and mid frequencies, and at 1.7 kHz between mid and high frequencies, ensuring precise frequency separation and optimal sound performance.

The system features dual 15" woofers for deep bass, and two 6.5" cone speakers paired with 90° x 30° constant dispersion horns to improve voice intelligibility compared to conventional two-way systems. The high-frequency section includes a compression driver with a titanium diaphragm and a constant directivity horn, delivering clear, distortion-free sound reproduction.

The K.C.S. S-7802 is THX-approved, making it a high-quality, reliable choice for professional cinema installations where superior sound clarity and SPL performance are required.

S-7802

Specifications

TRI-AMPLIFIED SPEAKER

Performances

Frequency Range (-10 dB)	30Hz-20kHz
--------------------------	------------

LF Nominal Impedance	4 Ohms
----------------------	--------

LF AES Power (1)	1000 W
------------------	--------

LF Continuous Program	2000 W
-----------------------	--------

MF Nominal Impedance	4 Ohms
----------------------	--------

MF AES Power (1)	180 W
------------------	-------

MF Continuous Program	360 W
-----------------------	-------

HF Nominal Impedance	8 Ohms
----------------------	--------

HF AES Power (1)	50 W
------------------	------

HF Continuous Program	100 W
-----------------------	-------

System Sensitivity 1 W/1 m (2)	-
--------------------------------	---

LF Sensitivity 1 W/1 m (2)	101 dB
----------------------------	--------

MF Sensitivity 1 W/1 m (2)	110 dB
----------------------------	--------

HF Sensitivity 1 W/1 m (2)	112 dB
----------------------------	--------

MF / HF Bracket	Adjustable Bracket
-----------------	--------------------

Beam Horizontal Angle	90 degrees
-----------------------	------------

Beam Vertical Angle	40 degrees
---------------------	------------

(1) - Based on a 2 hours test using a continuous 6 dB crest factor pink noise signal band limited according to IEC 268-1 (1985).

(2) - Free field sensitivity (Half Space sensitivity +3 dB)

(3) - Rating based on test signal of filtered random noise conforming to the International Standard IEC 268-1 (pink noise with 12 dB per octave roll-off below 40 Hz and above 5000 Hz with a peak-to average ratio of 6 dB).

S-7802

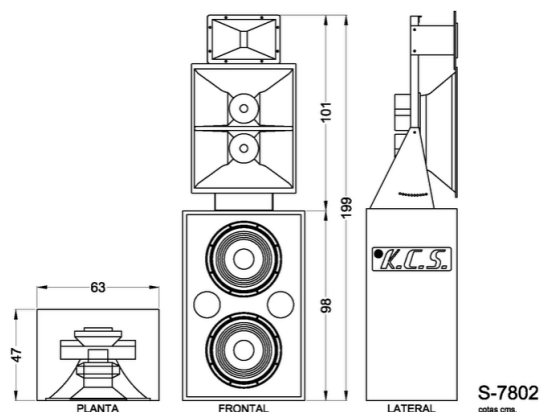
SUMINISTROS KELONIK SA
C/ Badajoz, 159 bis - 08018 Barcelona - Spain
Tel. +34 93 300 43 61
Updated (DD/MM/YYYY): 21/05/2026



Enclosure

Dimensions cm (H x W x D) 199 x 63 x 47

Net Weight 64,75 Kg



Components

	Quantity	Reference	Item Code
Enclosure Reference	1	C-215-FV	47159-A
	-	-	-
LF Reference	2	S-15-FV	47403-A
MF Reference	2	S-6	47313-A
HF Reference	1	S-701	47204-A
MF / HF Assembly Kit	1	M/H-7802	47135-A
MF / HF Bracket	1	SP-7800	47345-A
MF Horn	1	BM-942-B	47326-A
HF Horn	1	BC-94	47239-A

S-7802

SUMINISTROS KELONIK SA
C/ Badajoz, 159 bis - 08018 Barcelona - Spain
Tel. +34 93 300 43 61
Updated (DD/MM/YYYY): 21/05/2026



Connectors

Audio Input Connectors

Push Type Terminal

Spare Parts

	Reference	Item Code
LF Recone Kit	GM-S-15-FV	TBC
MF Recone Kit	-	-
HF Recone Kit	GM-S-401	47229-A
Passive Filter	-	-
MF / HF Filter	-	-

EQ Settings

Check the dedicated EQ Setting page on our website
https://kcsspeakers.com/en/EQ_Setting.html

S-7802