

S-7601

Item Code

47039-A



SCREEN CHANNEL

S-7601

SUMINISTROS KELONIK SA
C/ Badajoz, 159 bis - 08018 Barcelona - Spain
Tel. +34 93 300 43 61
Updated (DD/MM/YYYY): 21/05/2026



Key Features

- Bi-Amplification Ready: Requires an external crossover, with a 380 Hz cutoff between low and mid ranges.
- Passive Crossover: 1.8 kHz cutoff between the mid and high ranges, ensuring clear frequency separation.
- Bass Performance: Direct radiation bass cabinet with dual 15" speakers for deep, powerful low-end sound.
- Improved Voice Spectrum: 6.5" cone speaker and a 90° x 40° constant dispersion horn enhance dialogue intelligibility compared to conventional two-way systems.
- High-Frequency Driver: Compression driver with a titanium diaphragm and a constant directivity horn for precise and clear high-frequency output.

Description

The K.C.S. S-7601 three-way speaker system is designed for screen channels in small-sized auditoriums.

With a compact 47 cm depth, it is ideal for installations with space constraints behind the projection screen.

The system is designed for bi-amplification applications and requires an external crossover with a 380 Hz cutoff between the low and mid ranges. A 1.8 kHz passive crossover is included for the mid and high ranges.

The bass section features a direct radiation cabinet with two 15" woofers for deep bass reproduction.

The voice spectrum is handled by a 6.5" cone speaker and a 90° x 40° constant dispersion horn, which enhances dialogue intelligibility compared to traditional two-way systems.

The high-frequency section is powered by a titanium diaphragm compression driver paired with a constant directivity horn, ensuring clear and accurate high-end sound.

S-7601

Specifications

BI-AMPLIFIED SPEAKER

Performances

Frequency Range (-10 dB)	30Hz-20kHz
--------------------------	------------

LF Nominal Impedance	4 Ohms
----------------------	--------

LF AES Power (1)	1000 W
------------------	--------

LF Continuous Program	2000 W
-----------------------	--------

MF Nominal Impedance	-
----------------------	---

MF AES Power (1)	-
------------------	---

MF Continuous Program	-
-----------------------	---

HF Nominal Impedance	8 Ohms
----------------------	--------

HF AES Power (1)	140 W
------------------	-------

HF Continuous Program	280 W
-----------------------	-------

System Sensitivity 1 W/1 m (2)	-
--------------------------------	---

LF Sensitivity 1 W/1 m (2)	98 dB
----------------------------	-------

MF Sensitivity 1 W/1 m (2)	-
----------------------------	---

HF Sensitivity 1 W/1 m (2)	104 dB
----------------------------	--------

MF / HF Bracket	Adjustable Bracket
-----------------	--------------------

Beam Horizontal Angle	90 degrees
-----------------------	------------

Beam Vertical Angle	40 degrees
---------------------	------------

(1) - Based on a 2 hours test using a continuous 6 dB crest factor pink noise signal band limited according to IEC 268-1 (1985).

(2) - Free field sensitivity (Half Space sensitivity +3 dB)

(3) - Rating based on test signal of filtered random noise conforming to the International Standard IEC 268-1 (pink noise with 12 dB per octave roll-off below 40 Hz and above 5000 Hz with a peak-to average ratio of 6 dB).

S-7601

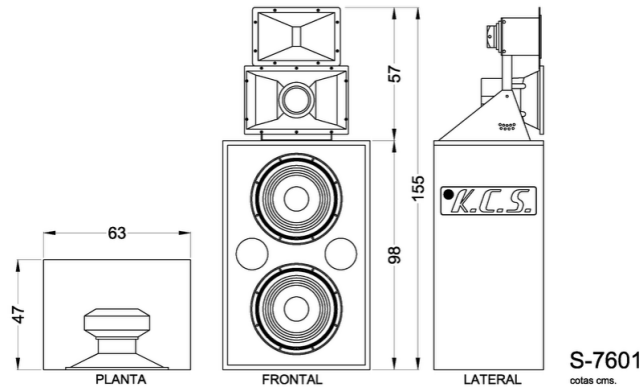
SUMINISTROS KELONIK SA
C/ Badajoz, 159 bis - 08018 Barcelona - Spain
Tel. +34 93 300 43 61
Updated (DD/MM/YYYY): 21/05/2026



Enclosure

Dimensions cm (H x W x D) 155 x 63 x 47

Net Weight 59,1 Kg



Components

	Quantity	Reference	Item Code
Enclosure Reference	1	C-215-FV/F-7601	47170-A
	-	-	-
LF Reference	2	S-15-FV	47403-A
MF Reference	1	S-6	47313-A
HF Reference	1	S-701	47204-A
MF / HF Assembly Kit	1	M/H-7600	47129-A
MF / HF Bracket	1	SP-7600	47347-A
MF Horn	1	BM-941	47324-A
HF Horn	1	BC-94	47239-A

S-7601

SUMINISTROS KELONIK SA
C/ Badajoz, 159 bis - 08018 Barcelona - Spain
Tel. +34 93 300 43 61
Updated (DD/MM/YYYY): 21/05/2026



Connectors

Audio Input Connectors

Push Type Terminal

Spare Parts

	Reference	Item Code
LF Recone Kit	GM-S-15-FV	TBC
MF Recone Kit	-	-
HF Recone Kit	GM-S-401	47229-A
Passive Filter	-	-
MF / HF Filter	F-7601	47386-A

EQ Settings

Check the dedicated EQ Setting page on our website
https://kcsspeakers.com/en/EQ_Setting.html

S-7601