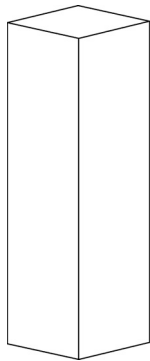
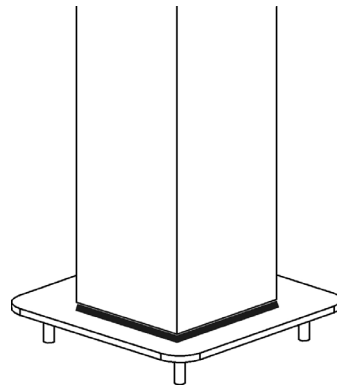


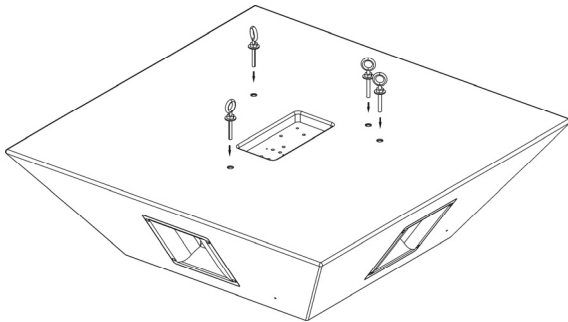
SP-SR-40/SP-SR-30 ASSEMBLY HANDBOOK



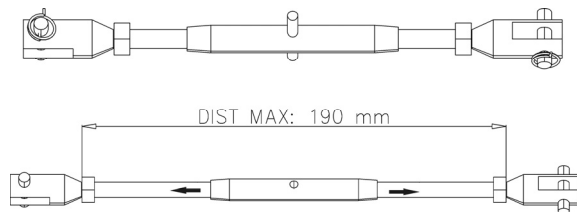
-1- You must have adequate fixation attached to the roof structure. (In vertical position)



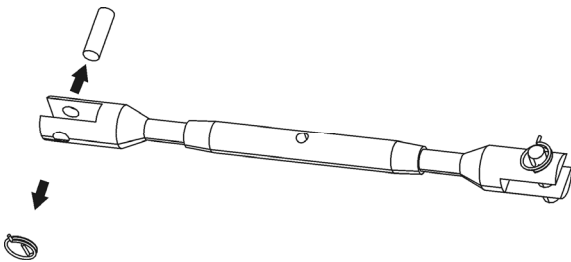
-2- Solder square metal plate bolts (not painted) to the beam as shown in Fig.



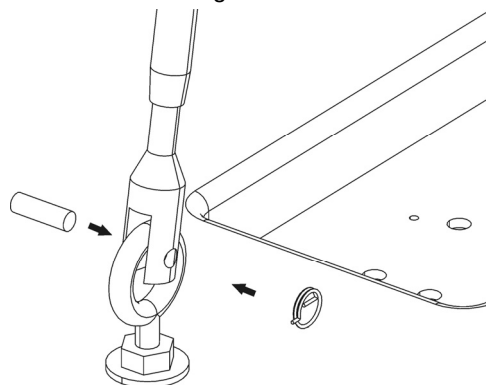
-3- Screw the 4 eyebolts (+ washer) at the top of the SR-40/SR-30



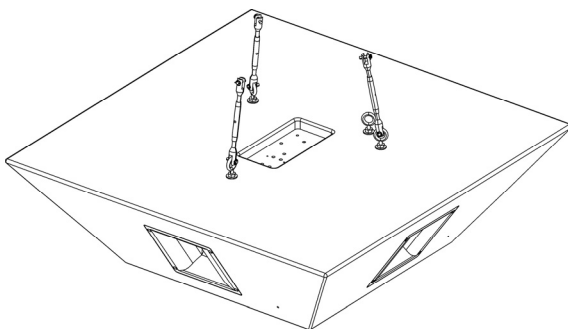
-4- DO NOT exceed the maximum distance of 190 mm in the regulation tensor.



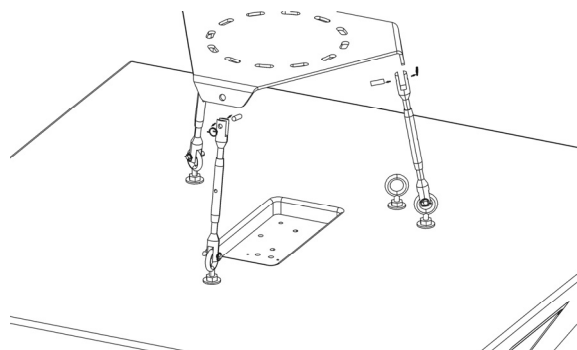
-5- Remove the pin acting on the clip



-6- Place the end of the tensor in the ring of the eyebolt and relocate the pin and clip

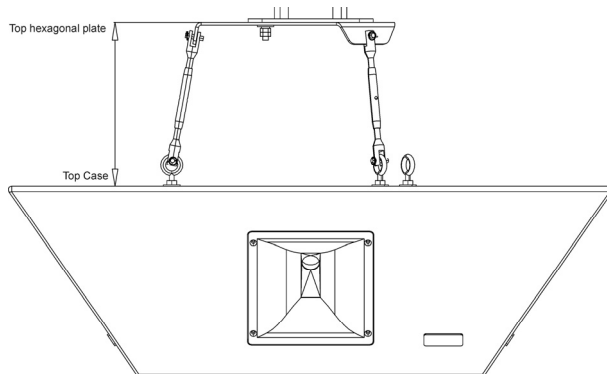


-7- Repeat steps 5 and 6 in the 3 eyebolts (the fourth eyebolt is to put the security cable not supplied)

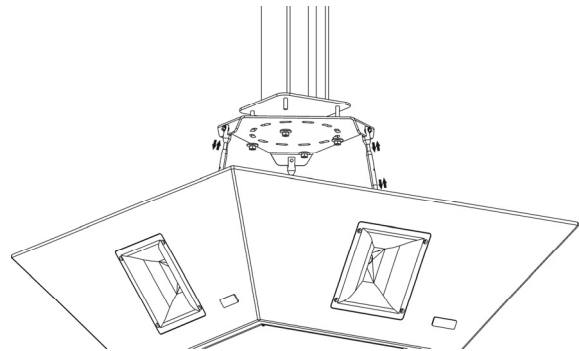


-8- Repeat steps 5 and 6 at opposite ends of the tensors to connect them to the hexagonal painted plate as indicated in the figure.

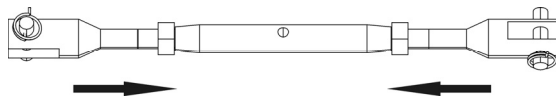
SP-SR-40/SP-SR-30 ASSEMBLY HANDBOOK



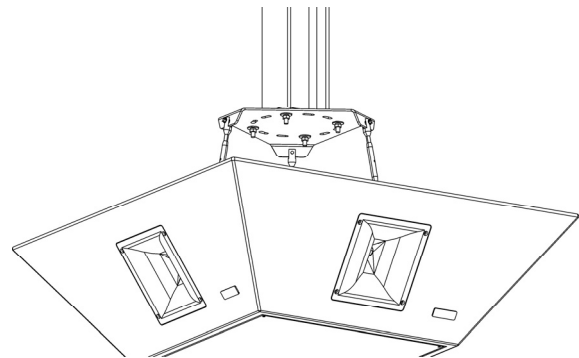
-9- Detail of tensor assembly with the top plate.
Distance Top Hexagonal plate to Top Case:
Max: 285 mm Min: 190 mm



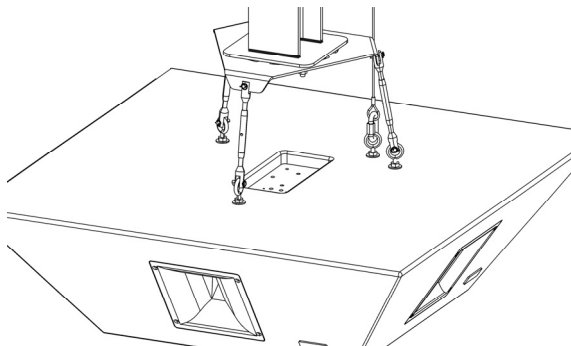
-10- Screw the assembly to the plate solder to the beam with: washer, nut, and nut-blocking (x4) and tighten the tensors turning the central part of them.



-11- Lock tensor nuts.



-12- Details of mounted set



-13- Place carabiner and security wire rope in the eyebolt ring (n°4) and hook the wire to a beam***



-14- Details of mounted set

*** It is the installer perform this step correctly and place the appropriate steel cable to guarantee the safety of the installation